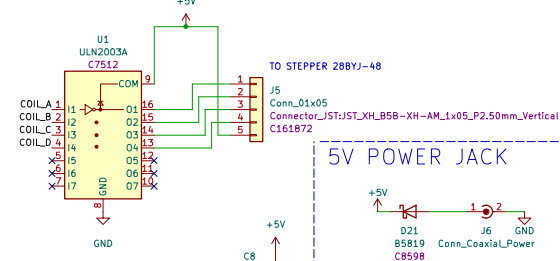
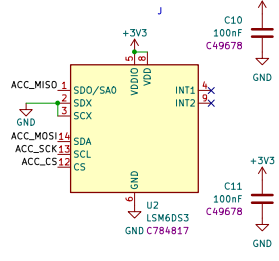


UNSW coaST Education Board - Schematic

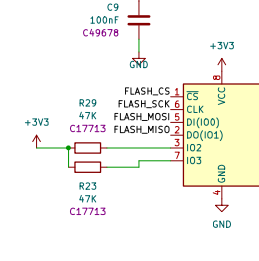
STEPPER MOTOR DRIVER AND CONNECTOR



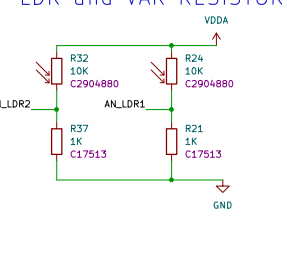
ACCELEROMETER



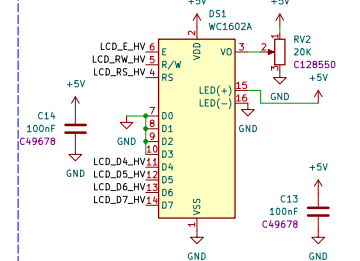
FLASH



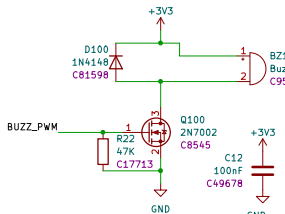
LDR and VAR RESISTOR



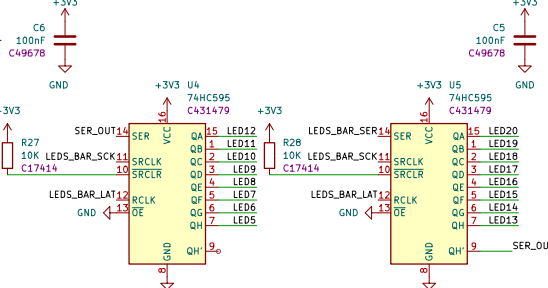
LCD



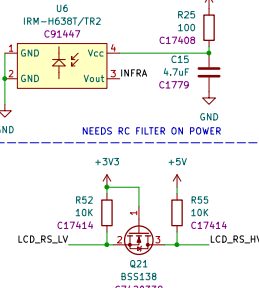
BUZZER



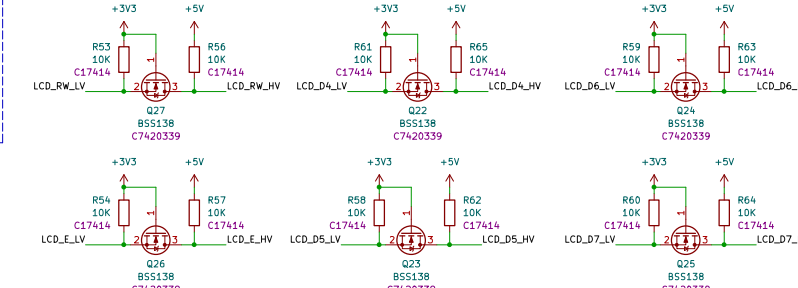
LED BAR SHIFT REGISTER



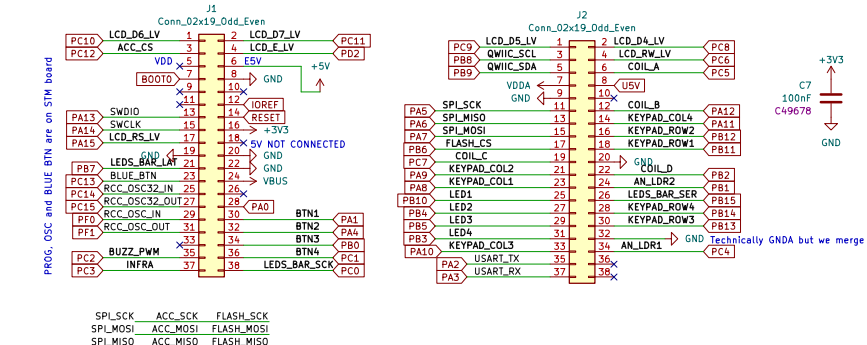
IR RECEIVER



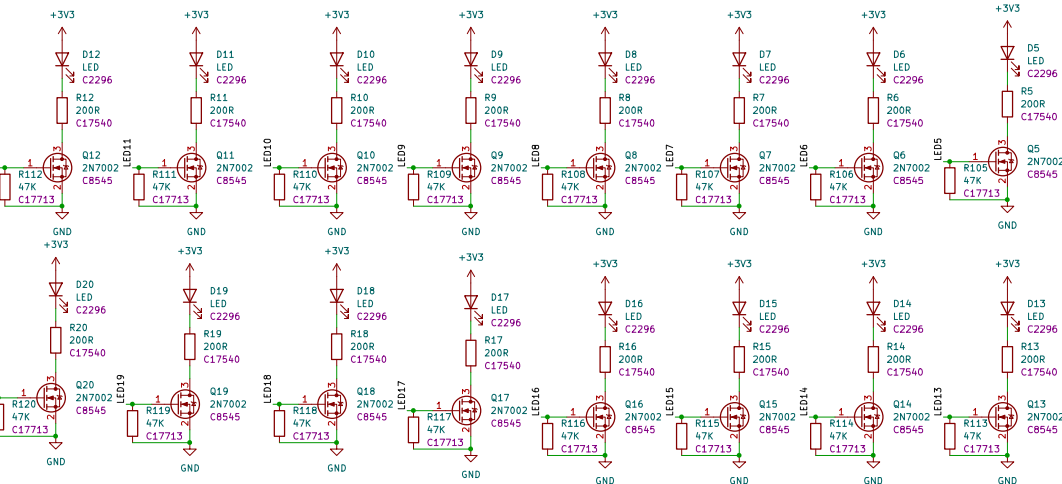
LEVEL SHIFTERS FOR 5V 1602



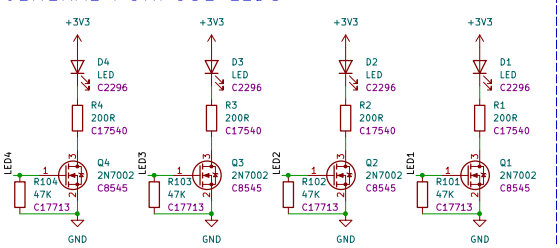
NUCLEO-F303RE SOCKET



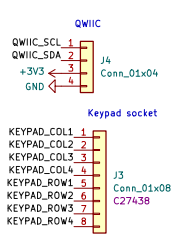
LEDs



GENERAL PURPOSE LEDs



MORE PORTS



GENERAL PURPOSE PUSH BUTTONS

