

COMP9334

Capacity Planning for Computer Systems and Networks

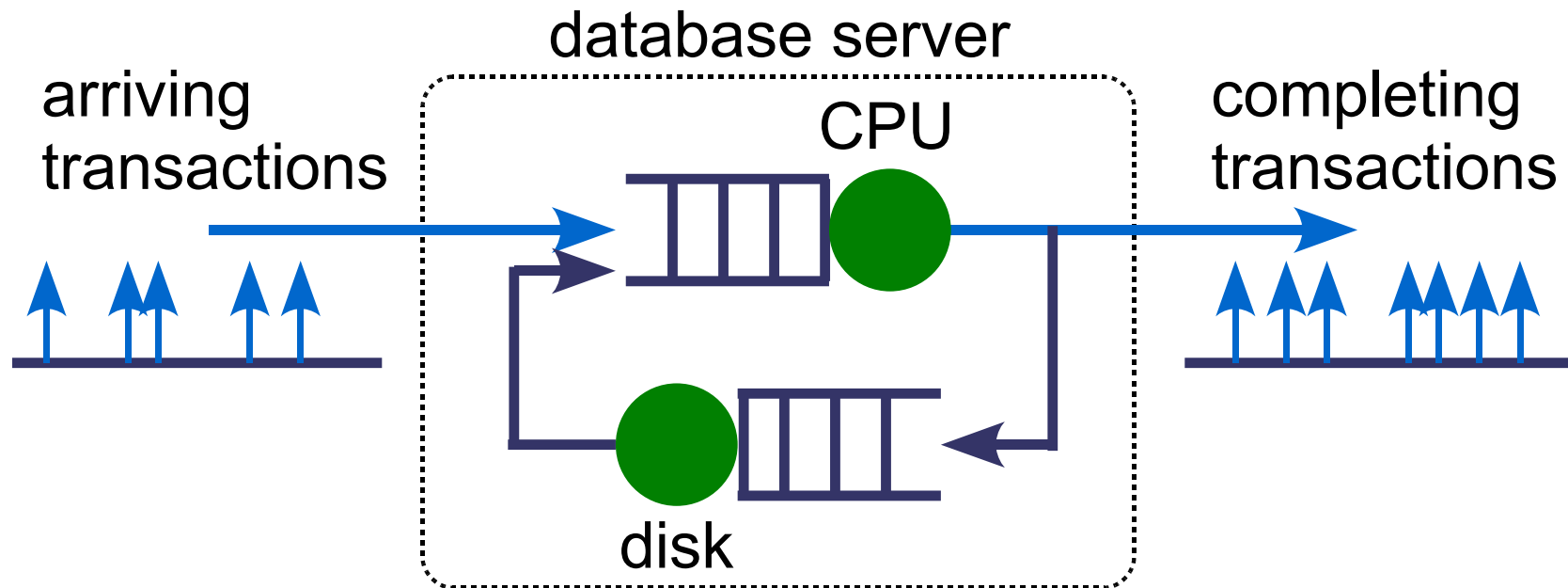
Week 2: Operational Analysis and
Workload Characterisation

Last lecture

- Modelling of computer systems using Queueing Networks
 - Open networks
 - Closed networks
 - Interactive systems

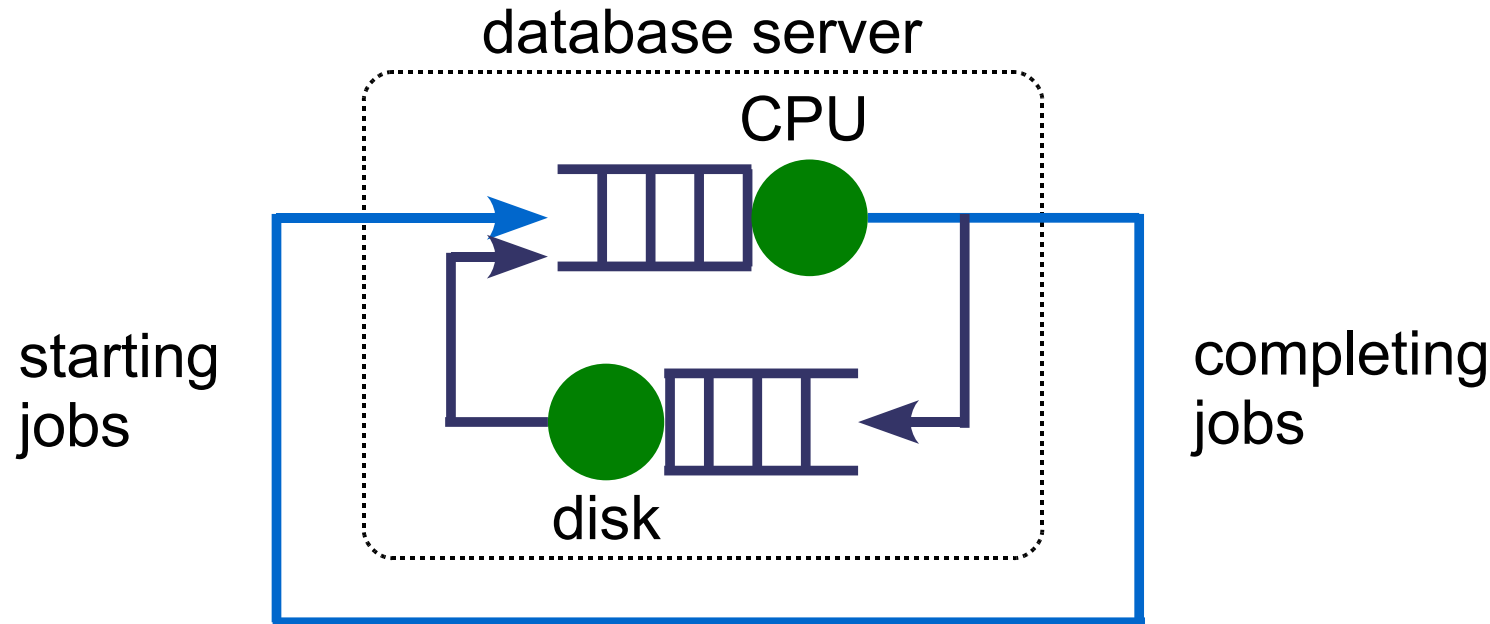
Open networks

Example: The server has a CPU and a disk.



A transactions may visit the CPU and disk multiple times.
An open network is characterised by external **transactions**.

Closed queuing networks



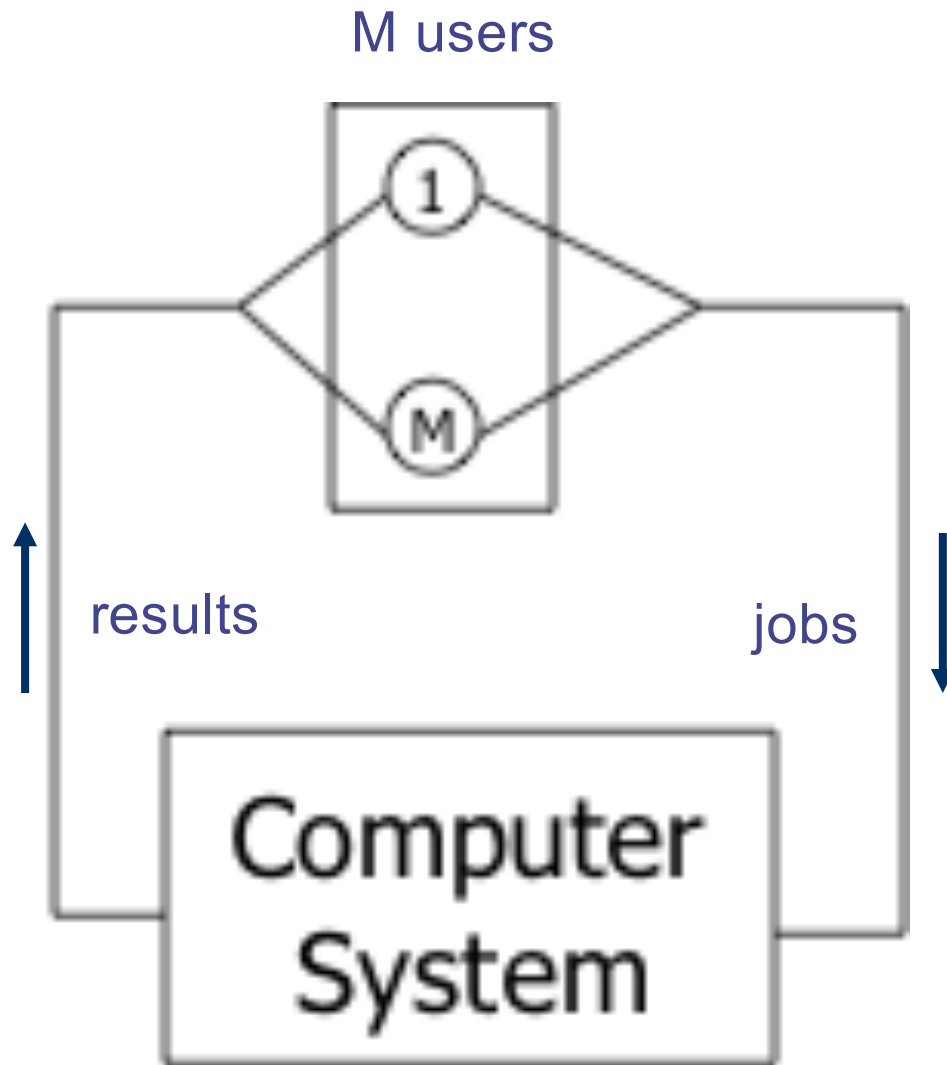
Closed queueing networks model

- Running batch jobs overnight
- Once a job has completed, a new job starts.

Good performance means high throughput.

#jobs in the system = multi-programming level

Interactive systems



Each user sends a job to the system

The system sends the results to the user.

The user after a thinking time, sends another job to the system.

- Thinking time = time spent by the user

An interactive system is an example of closed system.

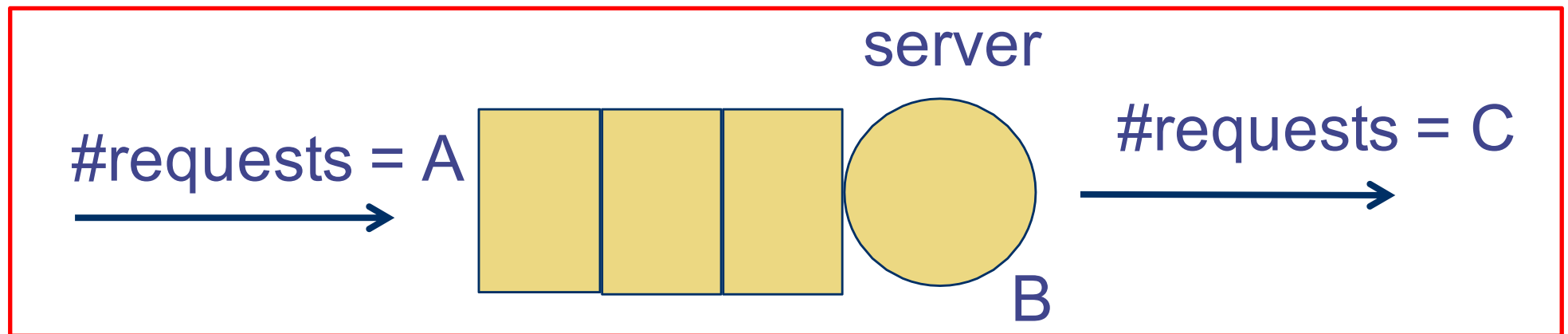
This lecture

- The basic performance metrics
 - Response time, Throughput, Utilisation etc.
- Operational analysis
 - Fundamental Laws relating the basic performance metrics
 - Bottleneck and performance analysis
- Workload characterisation
 - Poisson process and its properties

Operational analysis (OA)

- “Operational”
 - Collect performance data during day-to-day operation
- Operation laws
- Applications:
 - Use the data for building queueing network models
 - Perform bottleneck analysis
 - Perform modification analysis

Single-queue example (1)



In an observational period of T , server **b**usy for time **B**
A requests **a**rrived, **C** jobs **c**ompleted

A , B and C are basic measurements

Deductions: Arrival rate $\lambda = A/T$

Output rate $X = C/T$

Utilisation $U = B/T$

Mean service time per completed job = B/C

Motivating example

- Given
 - Observation period = 1 minute
 - CPU
 - Busy for 36s.
 - 1790 transactions arrived
 - 1800 transactions completed
 - Find
 - Mean service time per completion = $36/1800 = 0.02\text{s}$
 - Utilisation = $36/60 = 60\%$
 - Arrival rate = $1790/60 = 29.83$ transactions /s
 - Output rate = $1800/60 = 30$ transactions/s

Utilisation law

- The operational quantities are inter-related
- Consider
 - Utilisation $U = B / T$
 - Mean service time per completion $S = B / C$
 - Output rate $X = C / T$
- Utilisation law – Can you relate U , S and X ?
 - $U = S X$
- Utilisation law is an example of operational law.

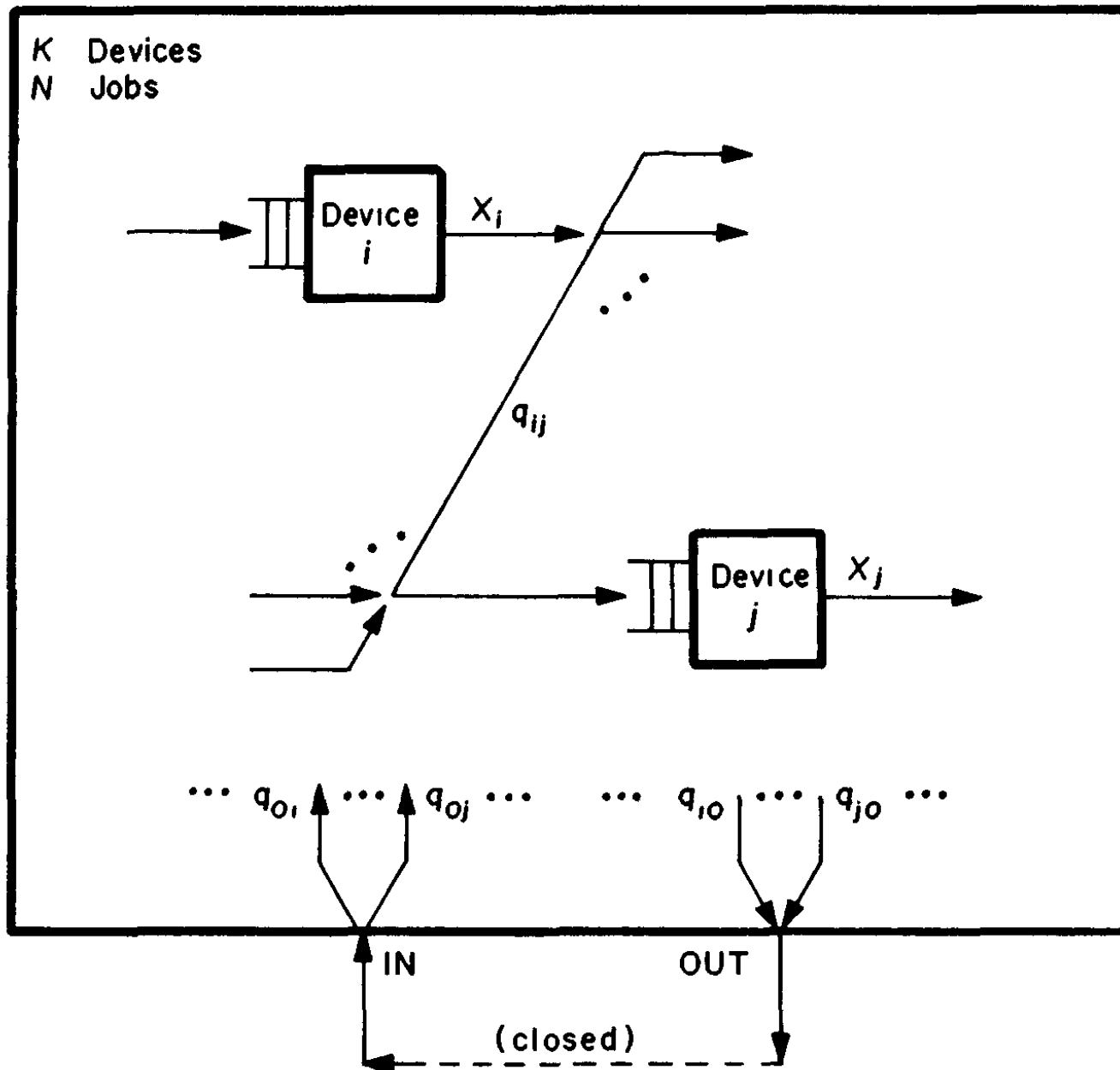
Application of OA

- Don't have to measure every operational quantities
 - Measure B to deduce U - don't have to measure U
- Consistency checks
 - If $U \neq S X$, something is wrong
- Operational laws can be used for performance analysis
 - Bottleneck analysis (today)
 - Mean value analysis (a few weeks' time)

Equilibrium assumption

- OA makes the assumption that
 - $C = A$
 - Or at least $C \approx A$
- This means that
 - The devices and system are in equilibrium
 - Arriving rates of jobs = Output rates of jobs = Throughput

OA for Queueing Networks (QNs)



The computer system has K devices, labelled as $1, \dots, K$.

The convention is to add an additional device 0 to represent the outside world.

OA for QNs (cont' d)

- We measure the basic operational quantities for each device (or other equivalent quantities) over a time of T
 - $A(j)$ = Number of **a**rrivals at device j
 - $B(j)$ = **B**usy time for device j
 - $C(j)$ = Number of **c**ompleted jobs for device j
- In addition, we have
 - $A(0)$ = Number of **a**rrivals for the system
 - $C(0)$ = Number of **c**ompletions for the system
- Question: What is the relationship between $A(0)$ and $C(0)$ for a closed QNs?

Visit ratios

- A job may require multiple visits to the devices in the system
 - Example: If every job arriving at the system will require 3 visits to the disk (= device j), what is the ratio of $C(j)$ to $C(0)$?
 - We expect $C(j)/C(0) = 3$.
 - $V(j)$ = Visit ratio of device j
 - = Number of times a job visits device j
 - We have $V(j) = C(j) / C(0)$

Forced Flow Law

Since $V(j) = \frac{C(j)}{C(0)}$

$$X(j) = \frac{C(j)}{T} \text{ and } X(0) = \frac{C(0)}{T}$$

The forced flow law is

$$V(j) = \frac{X(j)}{X(0)}$$

Service time versus service demand

- Ex: A job requires two disk accesses to be completed. One disk access takes 20ms and the other takes 30ms.
- Service time = the amount of processing time required *per visit* to the device
 - The quantities “20ms” and “30ms” are service time.
- $D(j)$ = Service demand of a job at device j is the total service time required by that job
 - The service demand for this job = 20ms + 30 ms = 50ms

Service demand

- Service demand can be expressed in two different ways
 - Ex: A job requires two disk accesses to be completed. One disk access takes 20ms and the other takes 30ms.
 - $D(j) = 50\text{ms}$.
 - What are $V(j)$ and $S(j)$?
 - $V(j) = 2$. $S(j) = 25\text{ms}$.
 - Service demand $D(j) = V(j) S(j)$

Service demand law (1)

Given $D(j) = V(j) S(j)$

Since $V(j) = \frac{X(j)}{X(0)}$

$$\Rightarrow D(j) = \frac{X(j)S(j)}{X(0)}$$

- What is $X(j) S(j)$?

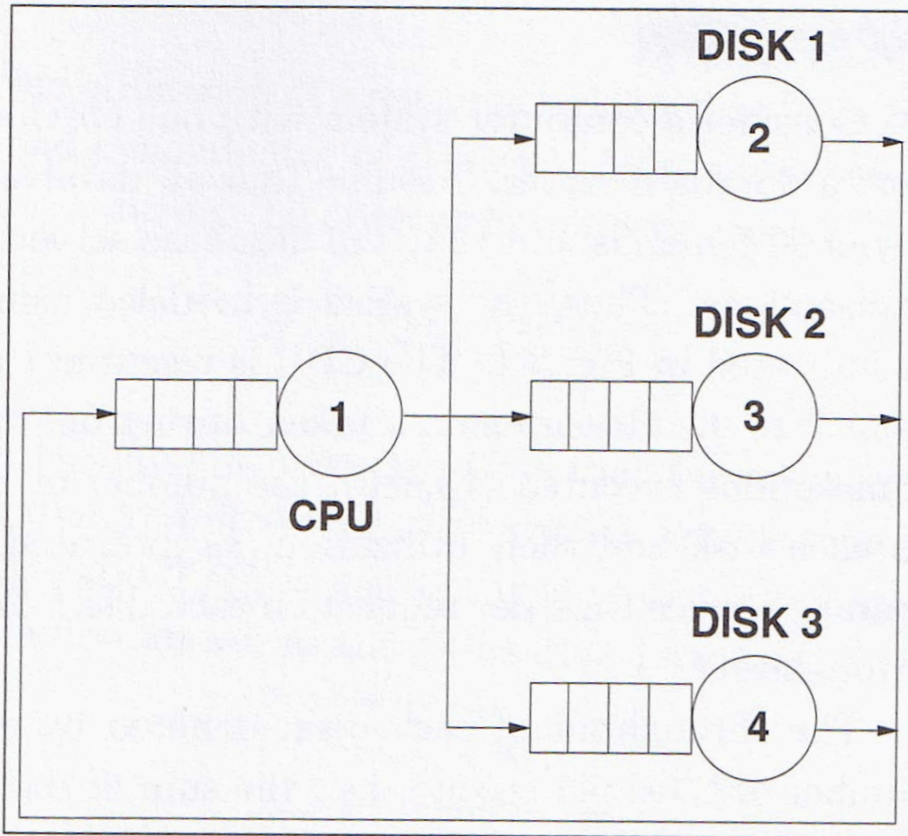
- It is $U(j)$

Service demand law $D(j) = \frac{U(j)}{X(0)}$

Service demand law (2)

- Service demand law $D(j) = U(j) / X(0)$
 - You can determine service demand without knowing the visit ratio
 - Over measurement period T , if you find
 - $B(j)$ = Busy time of device j
 - $C(0)$ = Number of requests completed
 - You've enough information to find $D(j)$
- The importance of service demand
 - You will see that service demand is a fundamental quantity you need to determine the performance of a queueing network
 - You will use service demand to determine system bottleneck today

Server example exercise



Measurement time = 1 hr

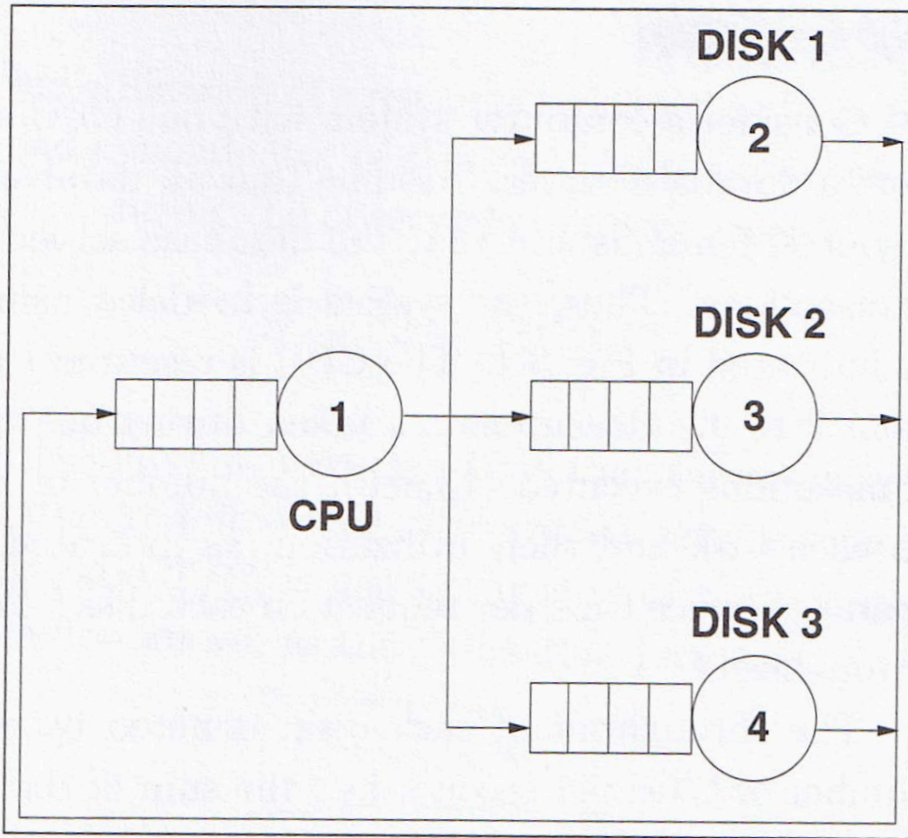
	# I/O/s	Utilisation
Disk 1	32	0.30
Disk 2	36	0.41
Disk 3	50	0.54
CPU		0.35
Total # jobs=13680		

What is the service time of Disk 2?

What is the service demand of Disk 2?

What is its visit ratio?

Server example solution



Measurement time = 1 hr		
	# I/O/s	Utilisation
Disk 1	32	0.30
Disk 2	36	0.41
Disk 3	50	0.54
CPU		0.35
Total # jobs=13680		

Service time = U_2/X_2

$$= 0.41/36 = 11.4\text{ms}$$

System throughput

$$= 13680/3600 = 3.8 \text{ jobs/s}$$

Service demand

$$= 0.41/3.8 = 108\text{ms}$$

Visit ratio

$$= 36/3.8 = 108 / 11.4 = 9.47$$

Little's law (1)

- Due to J.C. Little in 1961
 - A few different forms
 - The original form is based on stochastic models
 - An important result which is non-trivial
 - All the other operational laws are easy to derive, but Little's Law's derivation is more elaborate.
- Consider a single-server device
 - N_{avg} = Average number of jobs in the device
 - When we count the number of jobs in a device, we include the one being served and those in the queue waiting for service

Little's Law (2)

- X = Throughput of the device
- R_{avg} = Average response time of the jobs
- Little's Law (for OA) says that

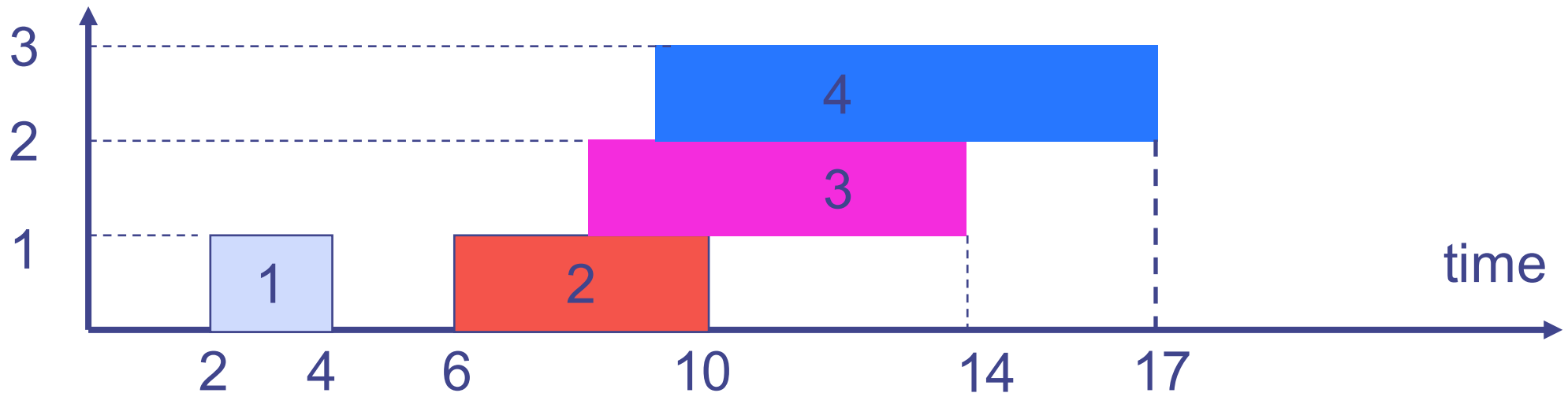
$$N_{avg} = X * R_{avg}$$

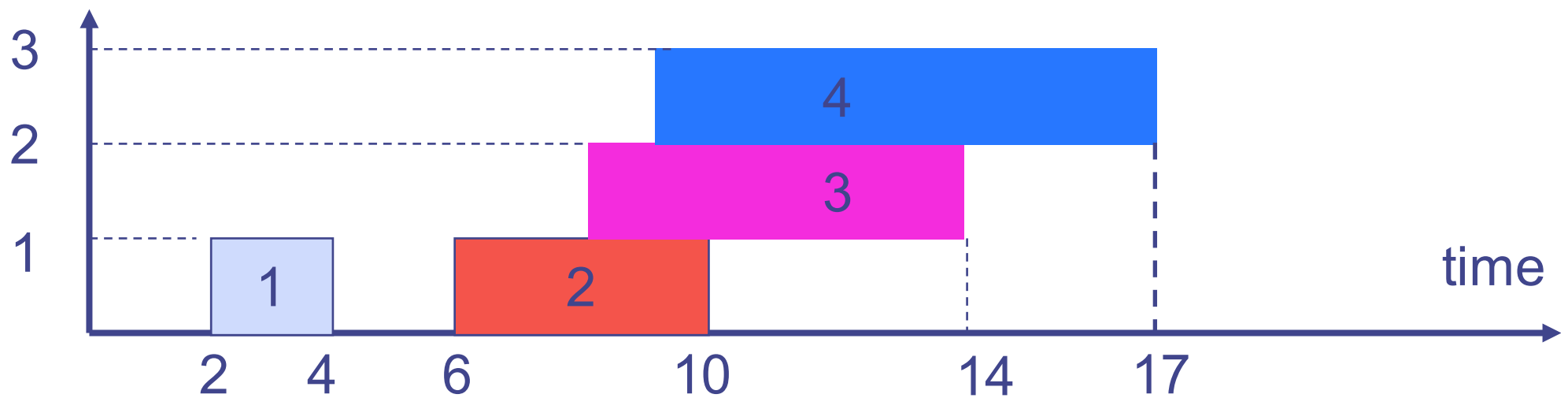
We will argue the validity of Little's Law using a simple example.

Consider the single server queue example from Week 1

Job index	Arrival time	Service time	Departure time
1	2	2	4
2	6	4	10
3	8	4	14
4	9	3	17

Let us use blocks of height 1 to show the time span of the jobs, i.e. width of each block = response time of the job





Assuming that in the measurement time interval $[0,20]$ these 4 jobs arrive and depart from this device, i.e. the device is in equilibrium.

Total area of the blocks

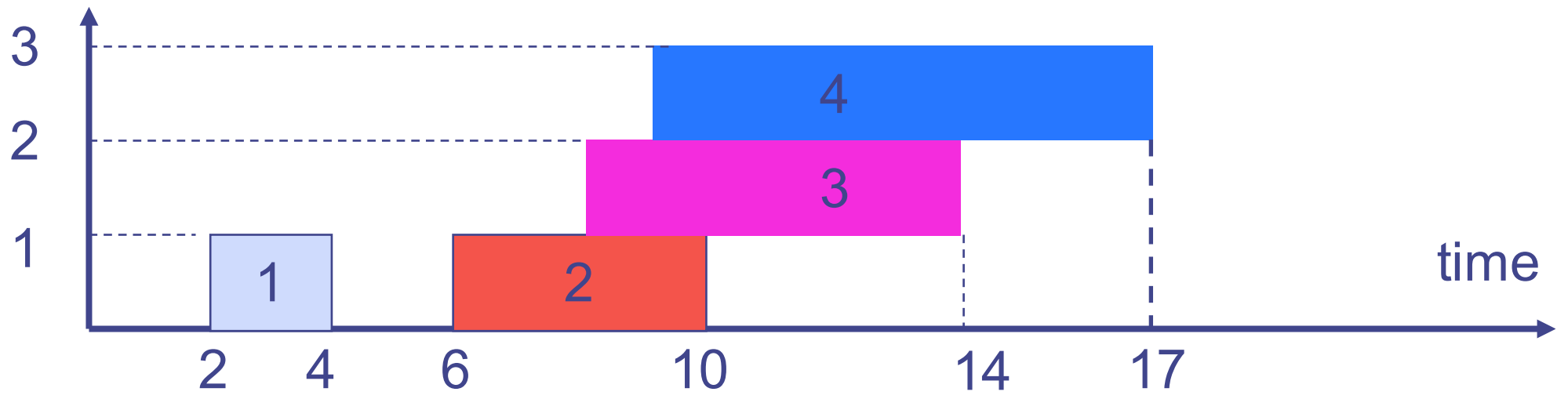
= Response time of job 1 + Response time of job 2 +

Response time of job 3 + Response time of job 4

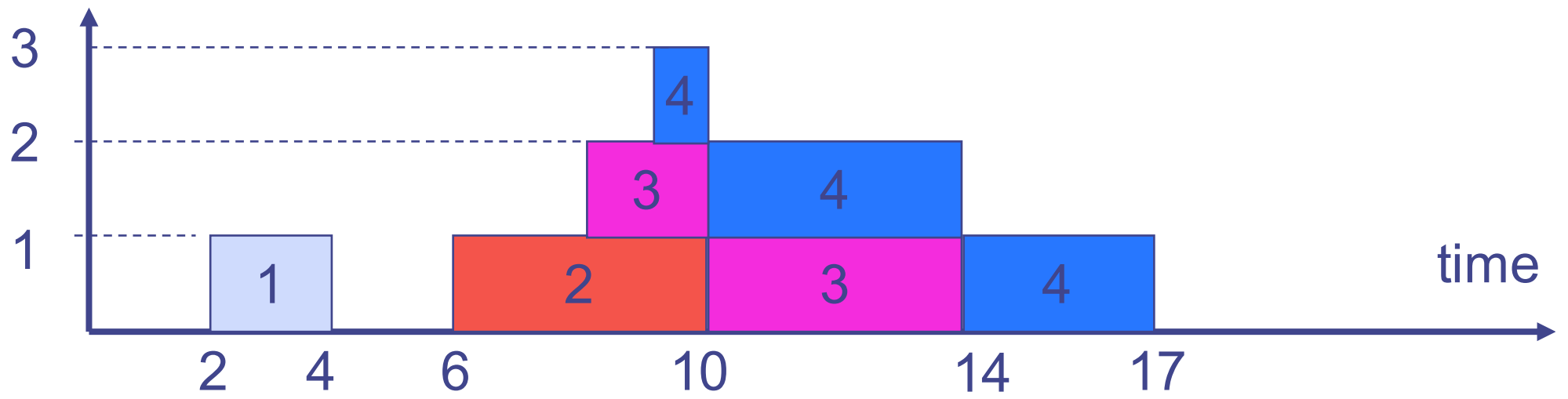
= Average response time over the measurement interval *

Number of jobs departing over the measurement interval

This is one interpretation. Let us look at another.

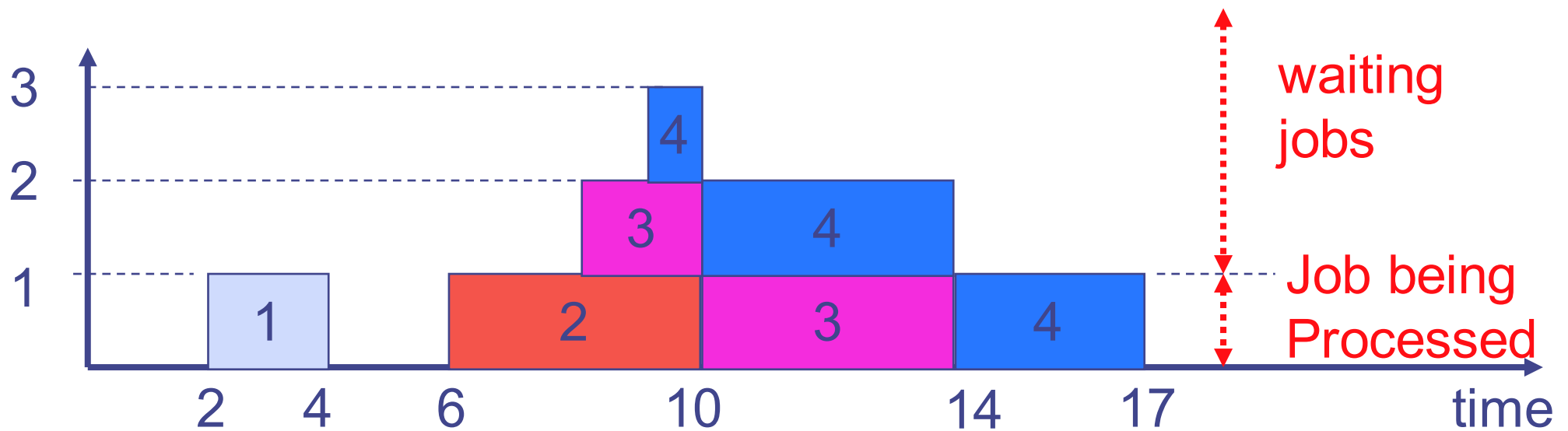


Let us assume these blocks are “plastic” and let them fall to the ground. Like this.



There is an interpretation of the height of the graph.

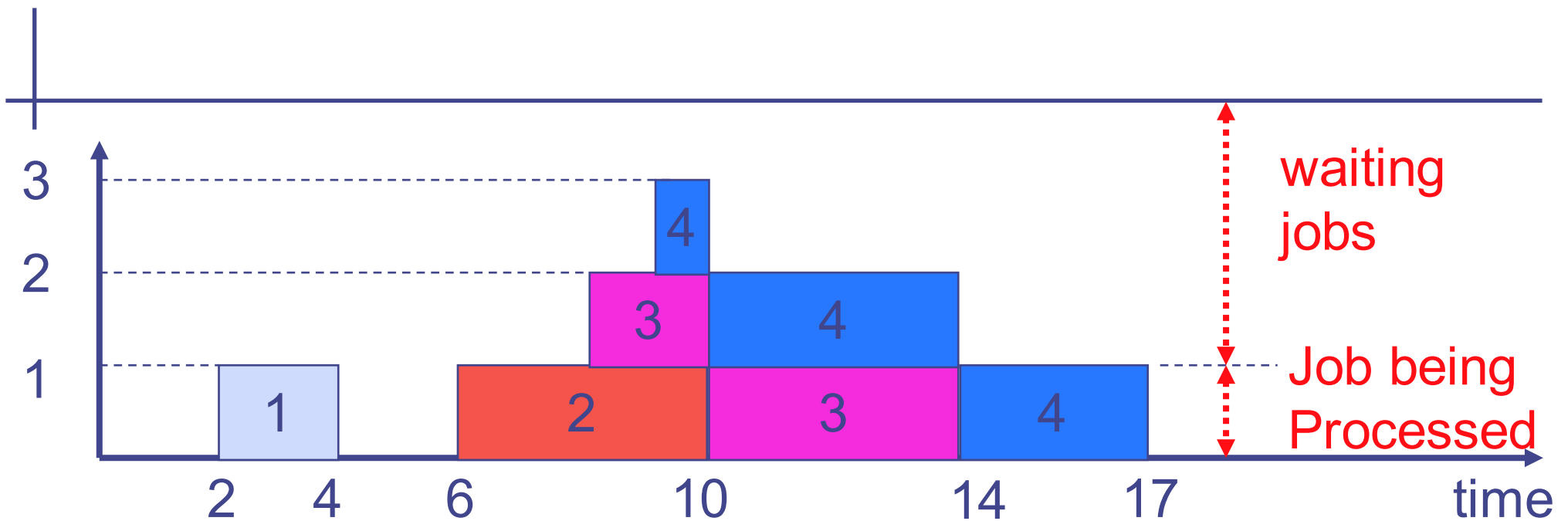
Job index	Arrival time	Service time
1	2	2
2	6	4
3	8	4
4	9	3



Interpretation: Height of the graph = number of jobs in the device

E.g. Number of jobs in $[9,10] = 3$

E.g. Number of jobs in $[11,12] = 2$ etc.



Again, consider the measurement time interval of $[0,20]$.

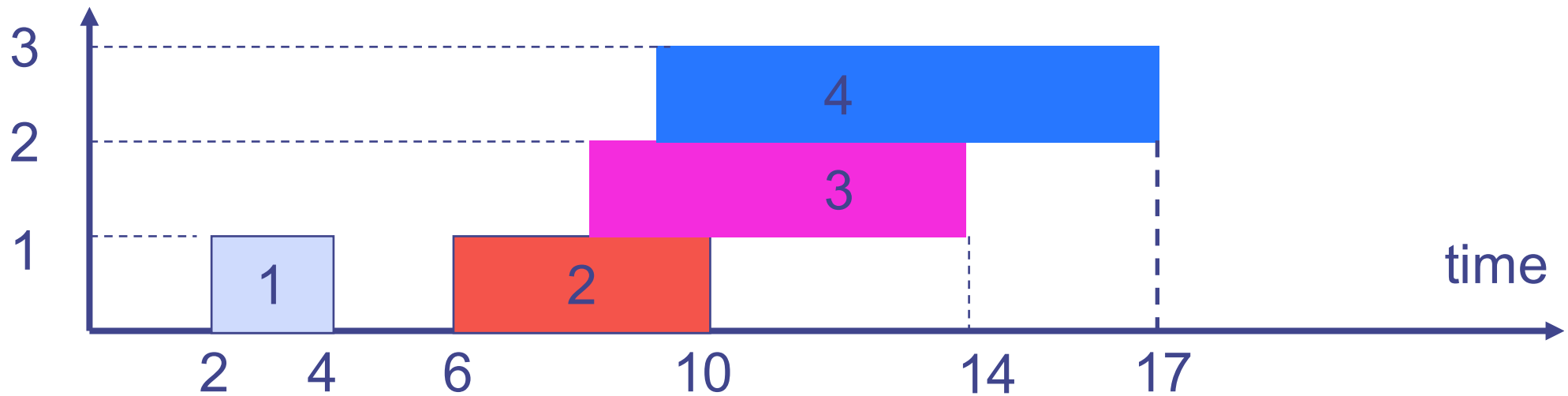
Area under the graph in $[0,20]$

= Height of the graph in $[0,1]$ + Height of the graph in $[1,2]$ + ...

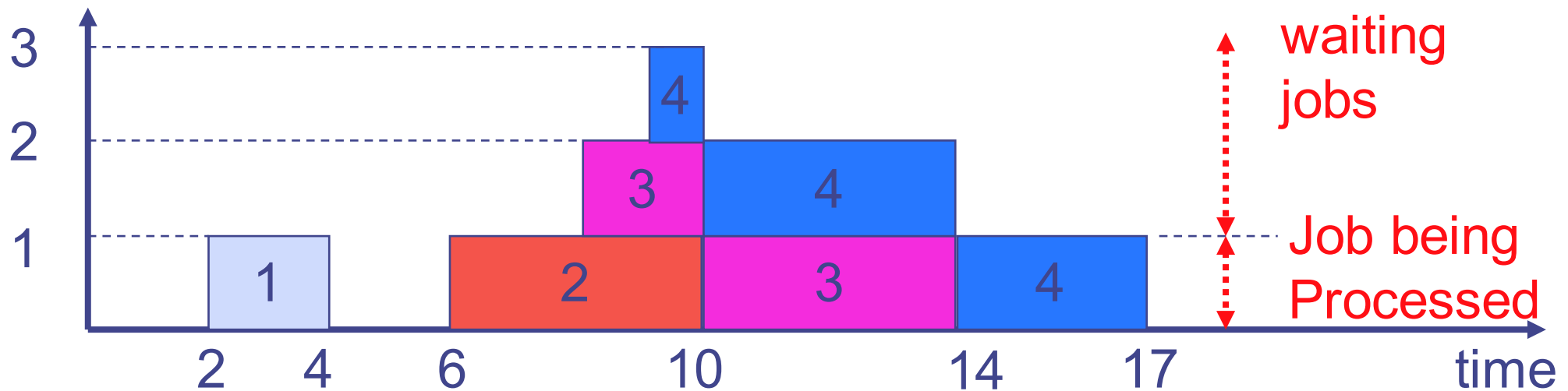
Height of the graph in $[19,20]$

= #jobs in $[0,1]$ + #jobs in $[1,2]$ + ... + #jobs in $[19,20]$

= Average number of jobs in $[0,20]$ * 20



Area = Average response time over $[0, T]$ *
 Number of jobs leaving in $[0, T]$



Area = Average number of jobs in $[0, T]$ * T

Deriving Little's Law

$$\begin{aligned} \text{Area} &= \text{Average response time of all jobs} * \\ &\quad \text{Number of jobs leaving in } [0, T] && \text{(Interpretation \#1)} \\ &= \text{Average number of jobs in } [0, T] * T && \text{(Interpretation \#2)} \end{aligned}$$

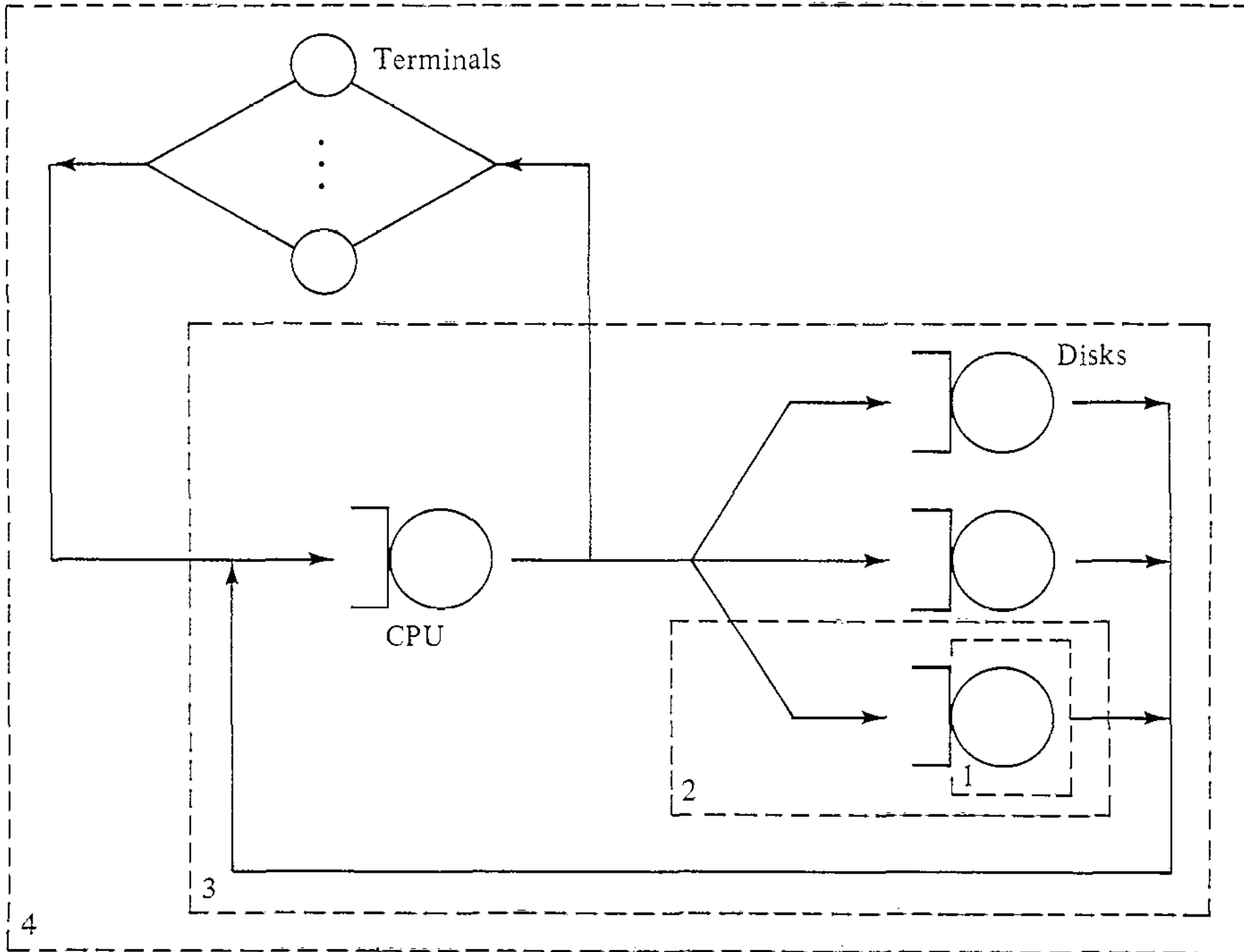
$$\begin{aligned} \text{Since } \text{Number of jobs leaving in } [0, T] / T \\ &= \text{Device throughput in } [0, T] \end{aligned}$$

We have Little's Law.

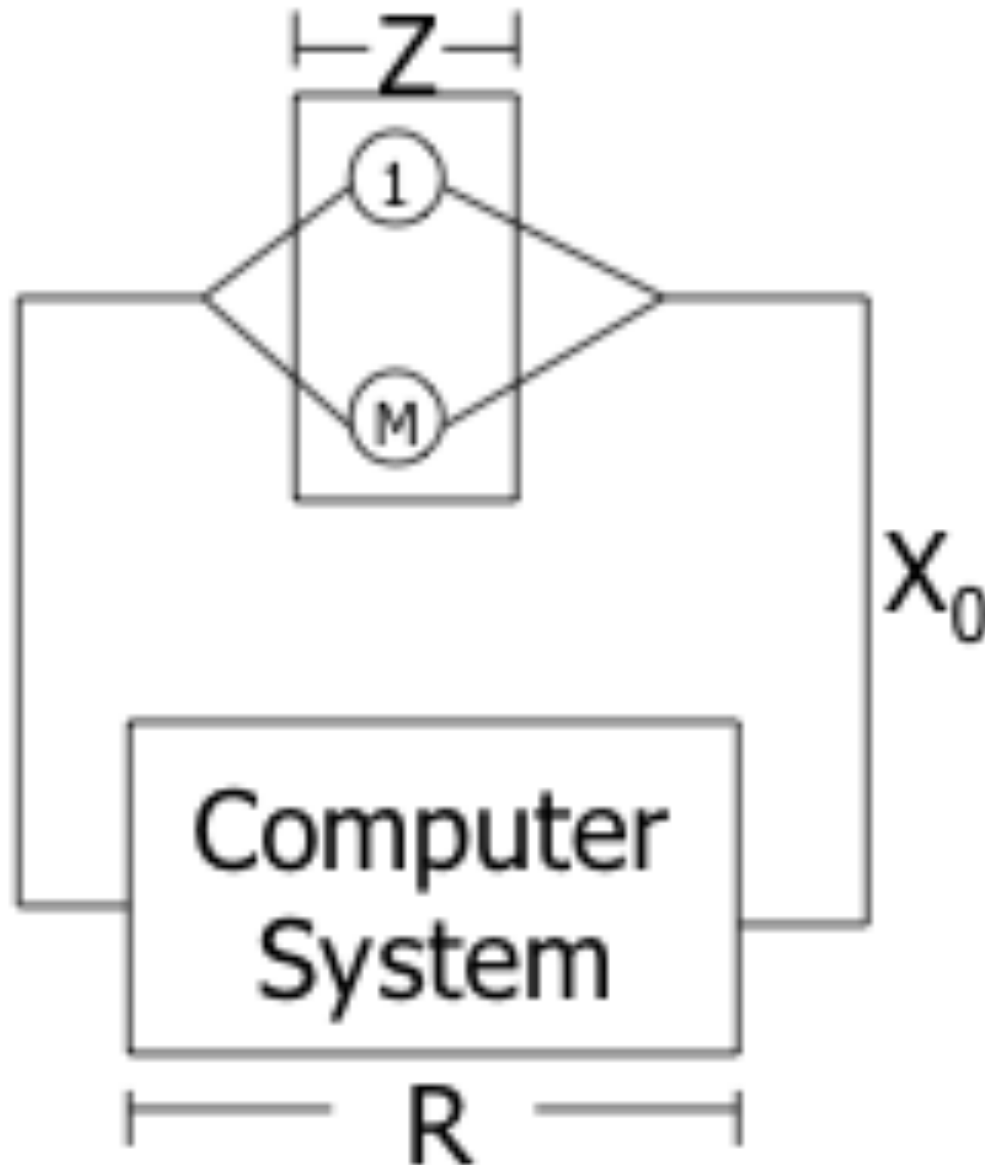
$$\begin{aligned} \text{Average number of jobs in } [0, T] \\ &= \text{Average response time of all jobs} * \text{Device throughput in } [0, T] \end{aligned}$$

Applicability of Little's Law

- Little's Law can be applied at many different levels
- A system with K devices
 - $N_{avg}(j) = \text{\#jobs in device } j$
 - Average number of jobs in the system $N_{avg} = N_{avg}(1) + \dots + N_{avg}(K)$
 - Average response time of device $j = R_{avg}(j)$
 - Average response time of the system = R_{avg}
- Little's law can be applied to a device
 - $N_{avg}(j) = R_{avg}(j) * X(j)$
- We can also apply it to an entire system
 - $N_{avg} = R_{avg} * X(0)$

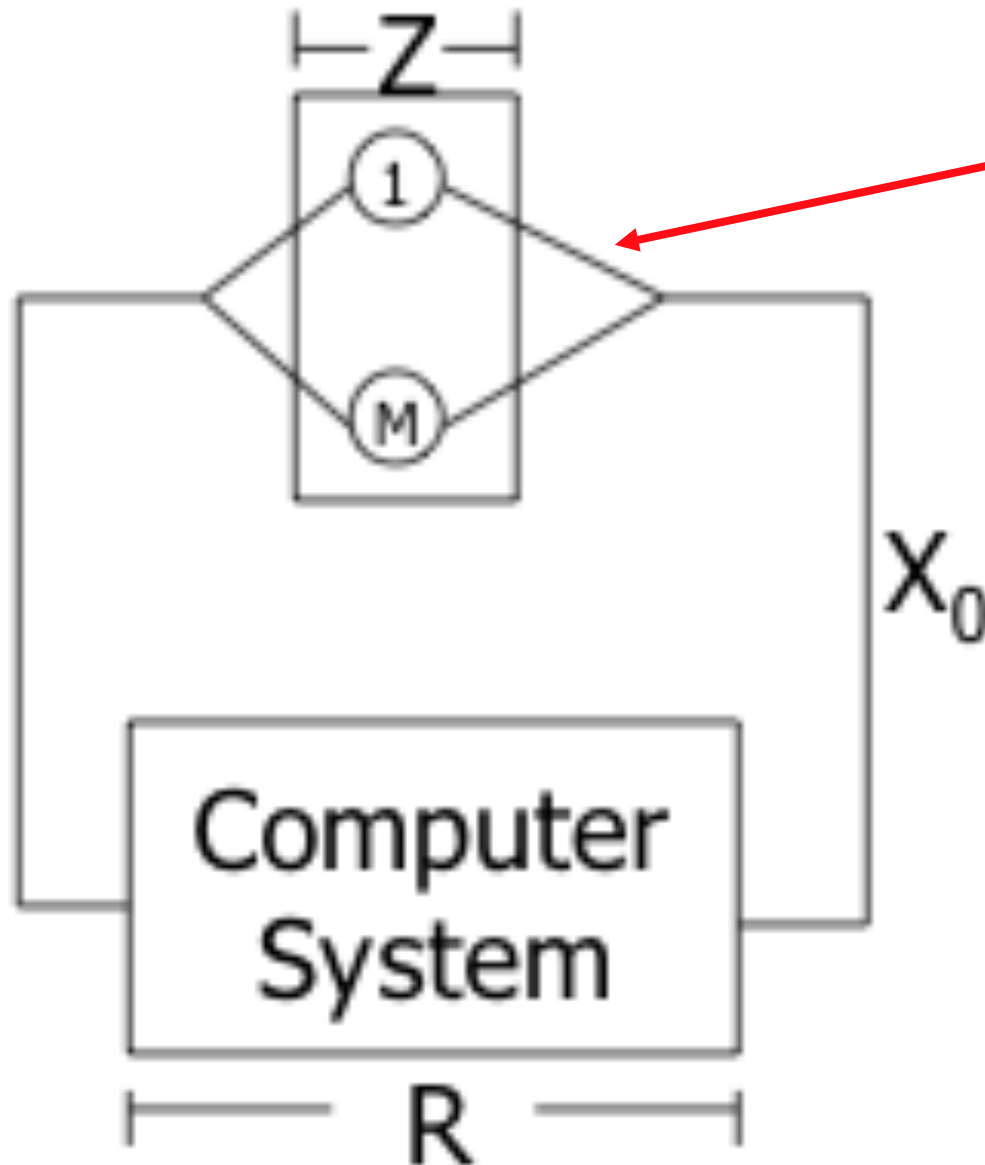


Interactive system (1)



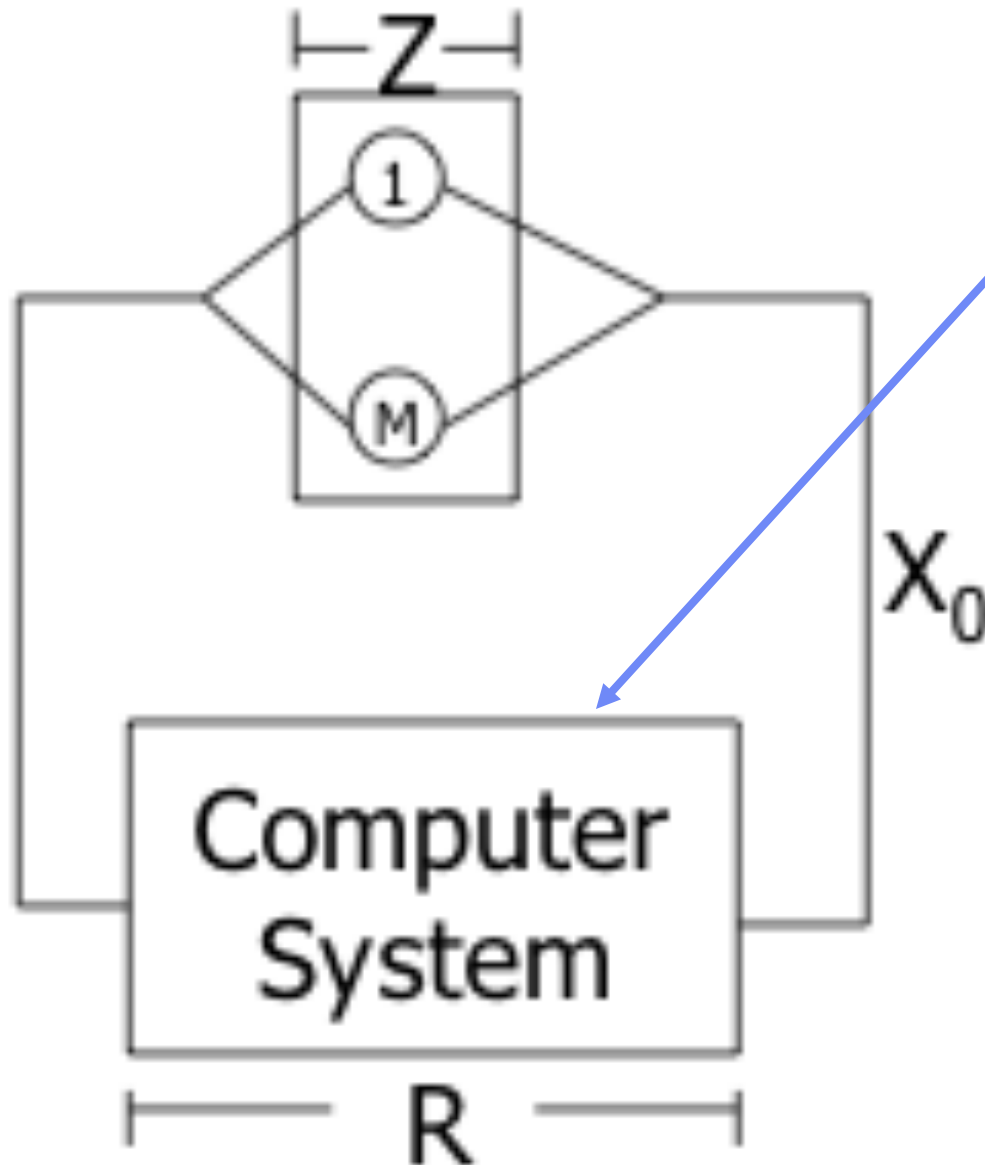
- M interactive clients
- Z = mean thinking time
- R = mean response time of the computer system
- X_0 = throughput

Interactive system (2)



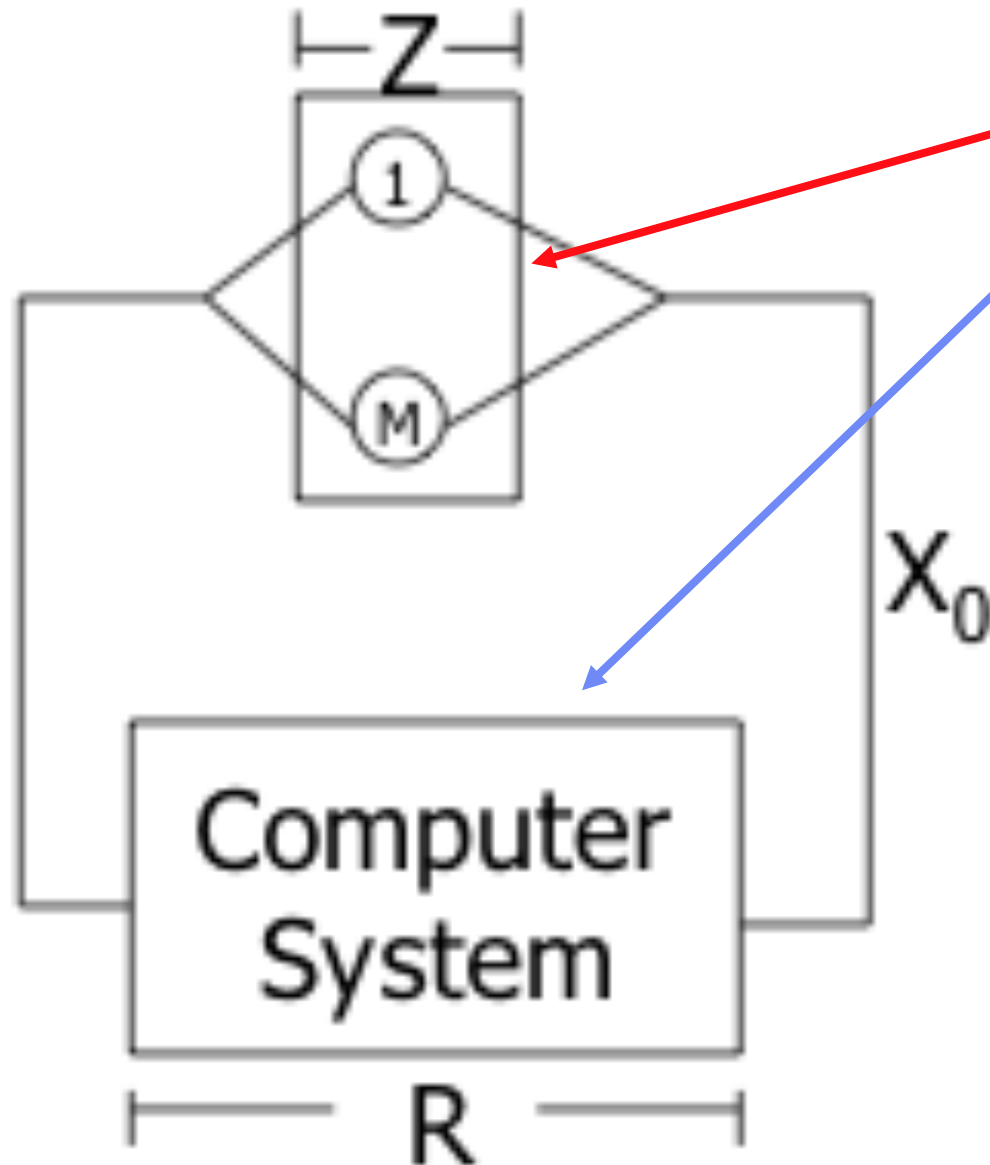
- M_{avg} = mean # interactive clients
- Z = mean thinking time
- X_0 = throughput
- Apply Little's Law to the interactive part, we have $M_{avg} = Z * X_0$

Interactive system (3)



- N_{avg} = average # clients in the computer system
- R = mean response time at the computer system
- X_0 = throughput
- Apply Little's Law to the computer system, we have $N_{avg} = R * X_0$

Interactive system (4)

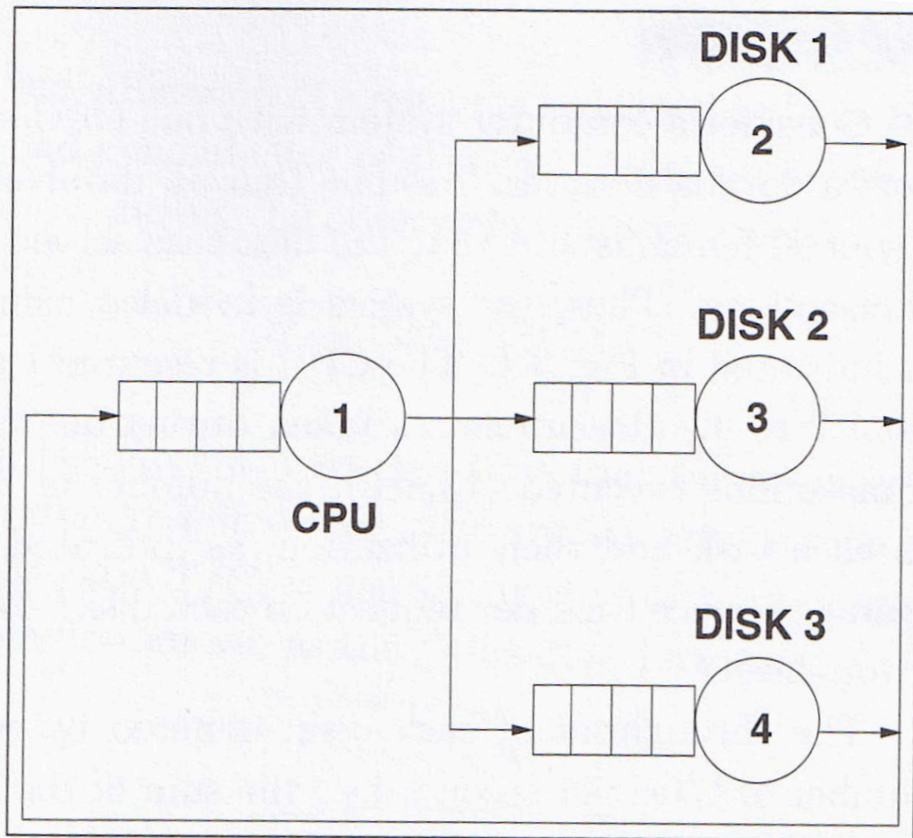


- $M_{avg} = X_0 * Z$
- $N_{avg} = X_0 * R$
- The system is closed, the total number of users M is a constant, we have
- $M = M_{avg} + N_{avg}$
- Therefore,
- $M = X_0 * (Z+R)$

The operational laws

- These are the operational laws
 - Utilisation law $U(j) = X(j) S(j)$
 - Forced flow law $X(j) = V(j) X(0)$
 - Service demand law $D(j) = V(j) S(j) = U(j) / X(0)$
 - Little's law $N = X R$
 - Interactive response time $M = X(0) (R+Z)$
- Applications
 - Mean value analysis (later in the course)
 - Bottleneck analysis
 - Modification analysis

Bottleneck analysis - motivation



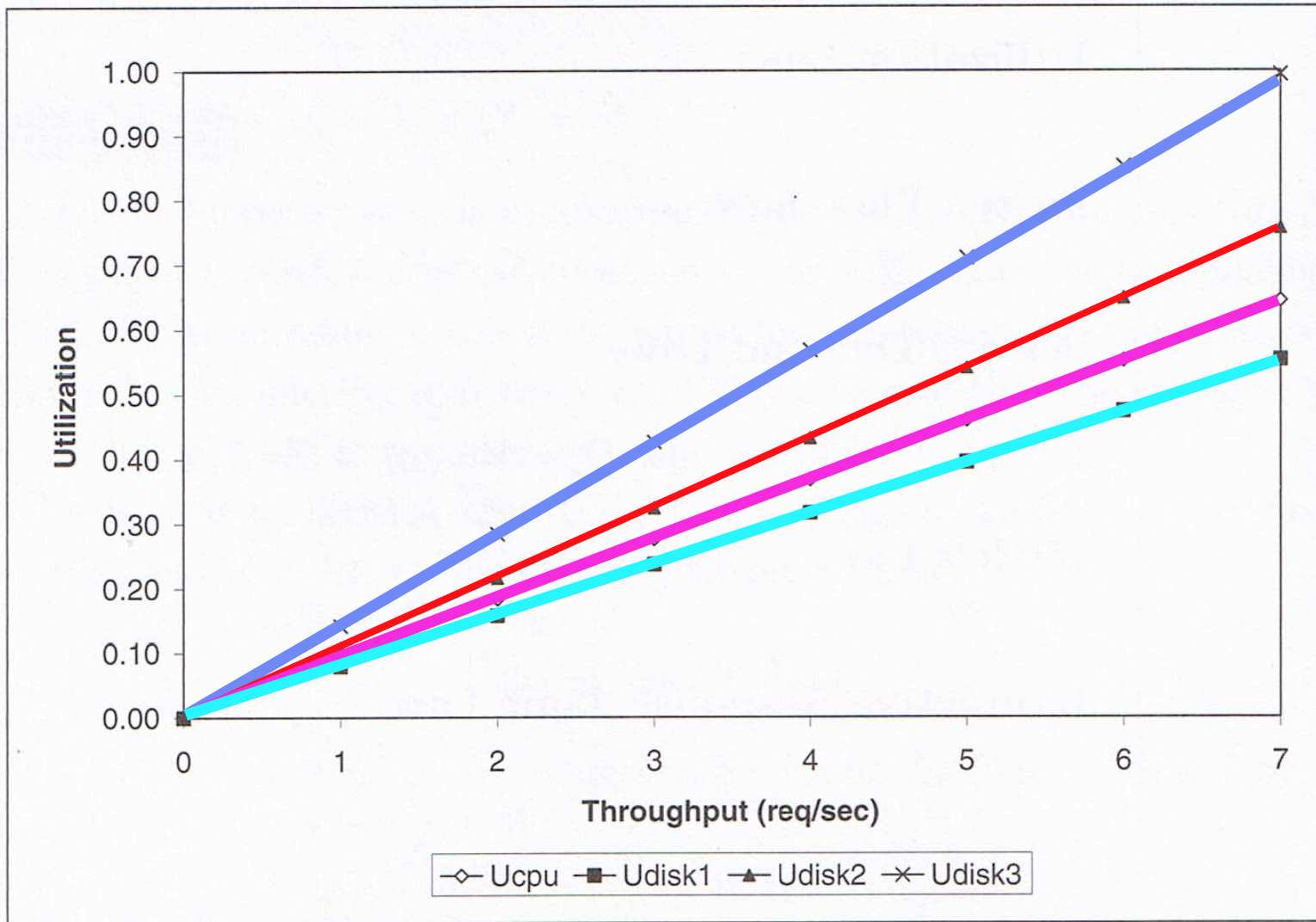
	D(j)	Utilisation
Disk 1	79ms	0.30
Disk 2	108ms	0.41
Disk 3	142ms	0.54
CPU	92ms	0.35

Service demand law: $D(j) = U(j) / X(0)$

$\implies U(j) = D(j) X(0)$

Utilisation increases with increasing throughput and service demand

Utilisation vs. throughput plot $U(j) = D(j) X(0)$



Disk 3

Disk 2

CPU

Disk 1

What determines this order?

Observation: For all system throughput:
Utilisation of Disk 3 > Utilisation of Disk 2 >
Utilisation of CPU > Utilisation of Disk 1

Bottleneck analysis

- Recall that utilisation is the busy time of a device divided by measurement time
 - What is the maximum value of utilisation?
- Based on the example on the previous slide, which device will reach the maximum utilisation first?

Bottleneck (1)

- Disk 3 has the highest service demand
- It is the bottleneck of the whole system

Operational law: $X(0) = \frac{U(j)}{D(j)}$

Utilisation limit: $U(j) \leq 1$

} $X(0) \leq \frac{1}{D(j)}$

Bottleneck (2)

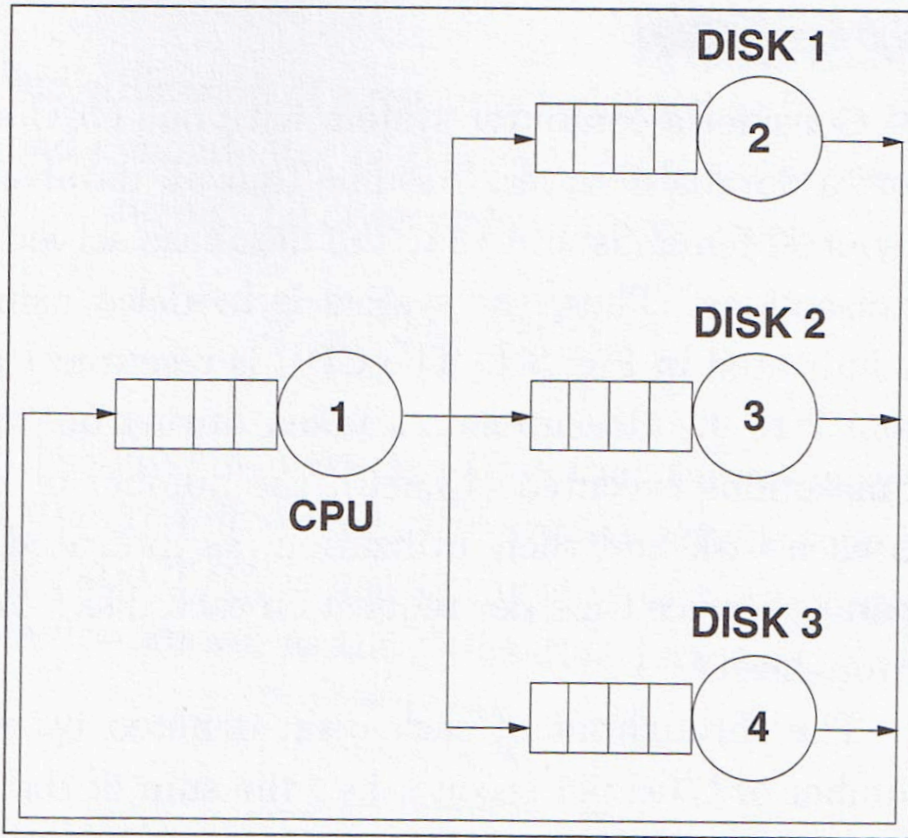
$$X(0) \leq \frac{1}{D(j)} \quad \text{Should hold for all } K \text{ devices in the system}$$

$$i.e. X(0) \leq \frac{1}{D(1)}, \dots, X(0) \leq \frac{1}{D(K)}$$

$$\Rightarrow X(0) \leq \min \frac{1}{D(j)}$$

$$\Rightarrow X(0) \leq \frac{1}{\max D(j)} \quad \text{Bottleneck throughput is limited by the maximum service demand}$$

Bottleneck exercise



	D(j)	Utilisation
Disk 1	79ms	0.30
Disk 2	108ms	0.41
Disk 3	142ms	0.54
CPU	92ms	0.35

The maximum system throughput is $1 / 0.142 = 7.04$ jobs/s.
What if we upgrade Disk 3 by a new disk that is 2 times faster, which device will be the bottleneck after the upgrade? You can assume that service time is inversely proportional to disk

Another throughput bound

- Little's law

$$N = R \times X(0) \geq \left(\sum_{i=1}^K D_i \right) \times X(0)$$

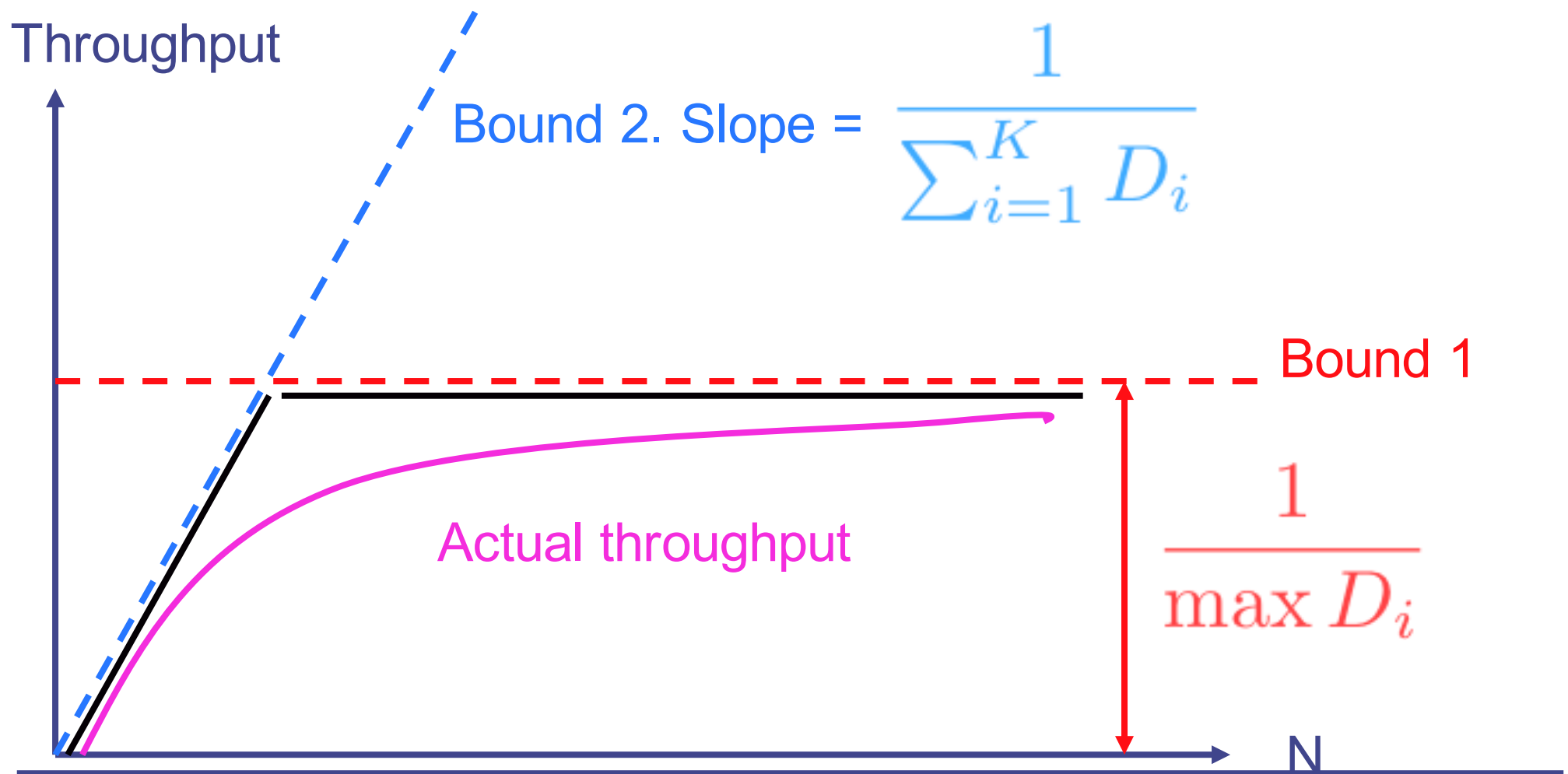
$$\Rightarrow X(0) \leq \frac{N}{\sum_{i=1}^K D_i}$$

Previously, we have $X(0) \leq \frac{1}{\max D(j)}$

Therefore: $X(0) \leq \min \left[\frac{1}{\max D_i}, \frac{N}{\sum_{i=1}^K D_i} \right]$

Throughput bounds

$$X(0) \leq \min \left[\frac{1}{\max D_i}, \frac{N}{\sum_{i=1}^K D_i} \right]$$



Bottleneck analysis

- Simple to use
 - Needs only utilisation of various components
- Assumes service demand is load independent

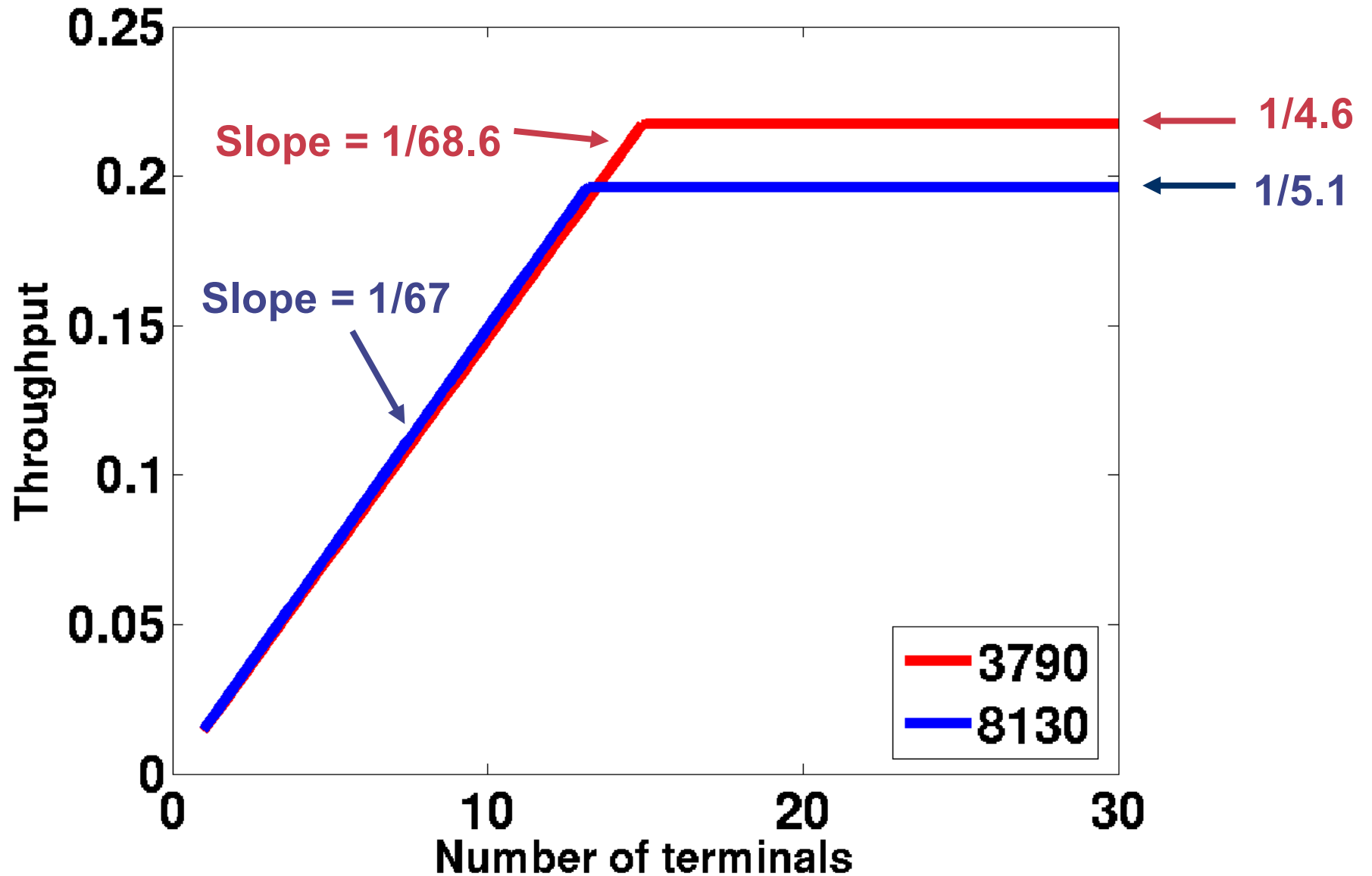
Modification analysis (1)

- (Reference: Lazowska Section 5.3.1)
- A company currently has a system (3790) and is considering switching to a new system (8130). The service demands for these two systems are given below:

System	Service demand (seconds)	
	CPU	Disk
3790	4.6	4.0
8130	5.1	1.9

- The company uses the system for interactive application with a think time of 60s.
- Given the same workload, should the company switch to the new system.
- We will work this out in the lecture, if you miss the lecture, you can refer to the reference for the solution.

Modification analysis (2)



Operational analysis

- These are the operational laws
 - Utilisation law $U(j) = X(j) S$
 - Forced flow law $X(j) = V(j) X(0)$
 - Service demand law $D(j) = V(j) S(j) = U(j) / X(0)$
 - Little's law $N = X R$
 - Interactive response time $M = X(0) (R+Z)$
- Operational analysis allows you to bound the system performance but it does NOT allow you to find the throughput and response time of a system
- To order to find the throughput and response time, we need to use queueing analysis
- To order to use queueing analysis, we need to specify the workload

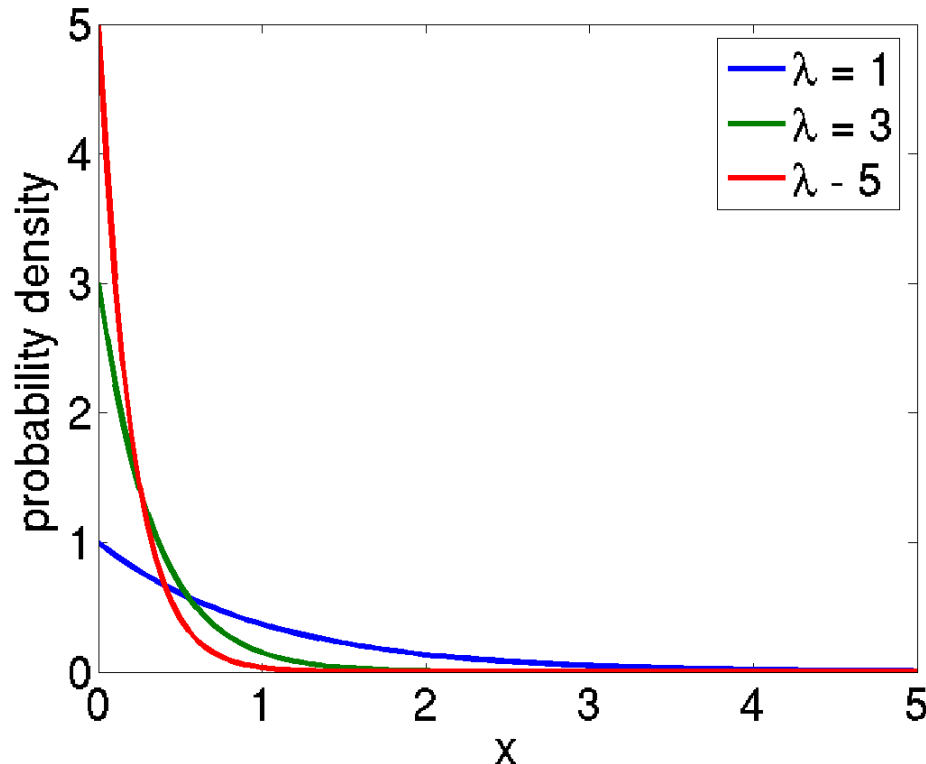
Workload analysis

- Performance depends on workload
 - When we look at performance bound earlier, the bounds depend on **number of users** and **service demand**
 - Queue response time depends on the **job arrival rate** and **job service time**
- One way of specifying workload is to use probability distribution.
- We will look at a well-known arrival process called Poisson process today.
- We will first begin by looking at exponential distribution.

Exponential distribution (1)

- A continuous random variable is exponentially distributed with rate λ if it has probability density function

$$f(x) = \begin{cases} \lambda e^{-\lambda x} & x \geq 0 \\ 0 & x < 0 \end{cases}$$



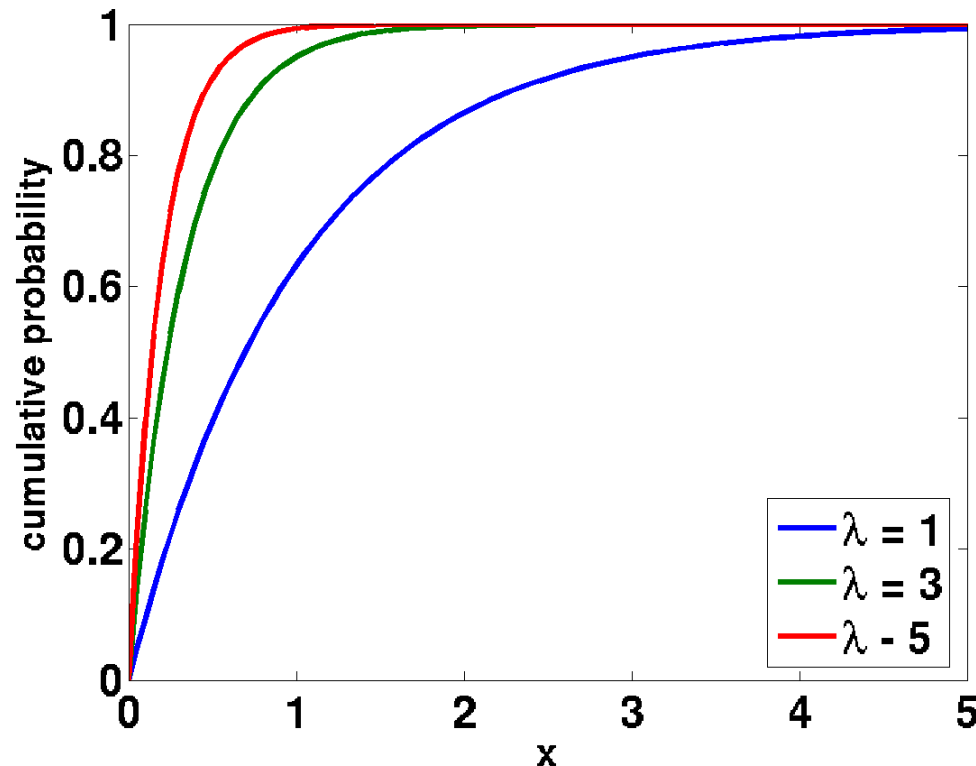
Probability that $x \leq X \leq x + \delta x$ is

$$f(x) \delta x = \lambda \exp(-\lambda x) \delta x$$

Exponential distribution - cumulative distribution

- The cumulative distribution function $F(x) = \text{Prob}(X \leq x)$ is:

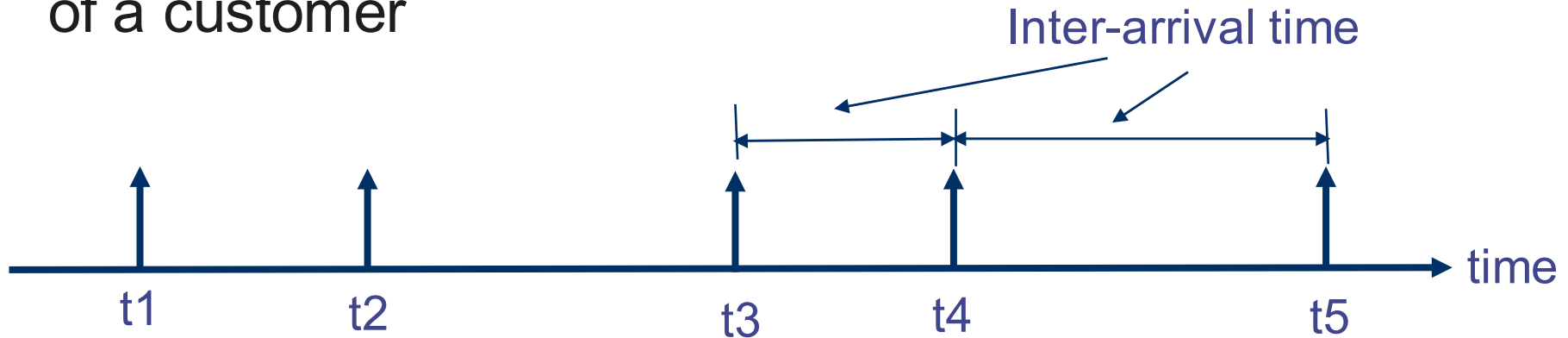
$$F(x) = \int_0^x \lambda e^{-\lambda z} dz = 1 - e^{-\lambda x} \text{ for } x \geq 0$$



What is $\text{Prob}(X \geq x)$?

Arrival process

- Each vertical arrow in the time line below depicts the arrival of a customer



- An arrival can mean
 - A telephone call arriving at a call centre
 - A transaction arriving at a computer system
 - A customer arriving at a checkout counter
 - An HTTP request arriving at a web server
- The inter-arrival time distribution will impact on the response time.
- We will study an inter-arrival distribution that results from a large number of **independent** customers.

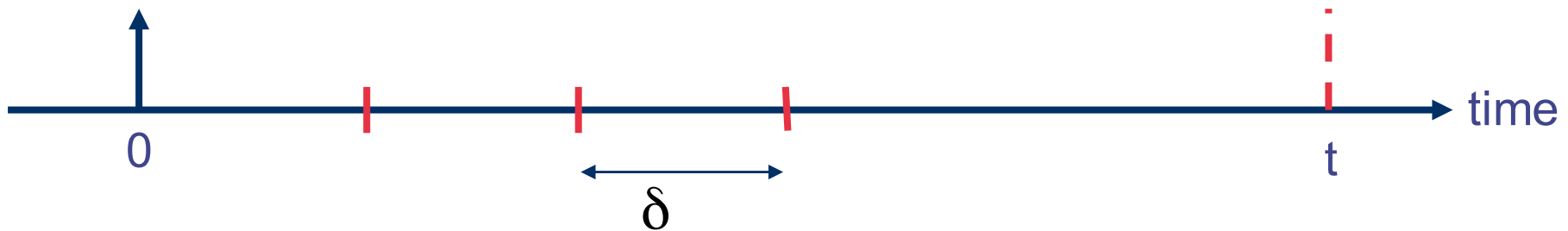
Many independent arrivals (1)

- Assume there is a large pool of N customers
- Within a time period of δ (δ is a small time period), there is a probability of $p\delta$ that a customer will make a request (which gives rise to an arrival)
- Assuming the probability that each customer makes a request is independent, the probability that a customer arrives in time period δ is $Np\delta$
- If a customer arrives at time 0, what is the probability that the next customer does not arrive before time t



Many independent arrivals (2)

- Divide the time t into intervals of width δ



- No arrival in $[0,t]$ means no arrival in each interval δ
- Probability of no arrival in $\delta = 1 - Np\delta$
- There are t / δ intervals
- Probability of no arrival in $[0,t]$ is

$$(1 - Np\delta)^{\frac{t}{\delta}} \rightarrow e^{-Npt} \text{ as } \delta \rightarrow 0$$

Exponential inter-arrival time

- We have showed that the probability that there is no arrival in $[0,t]$ is $\exp(-N p t)$
- Since we assume that there is an arrival at time 0, this means

$$\text{Probability}(\text{inter-arrival time} > t) = \exp(-N p t)$$

- This means

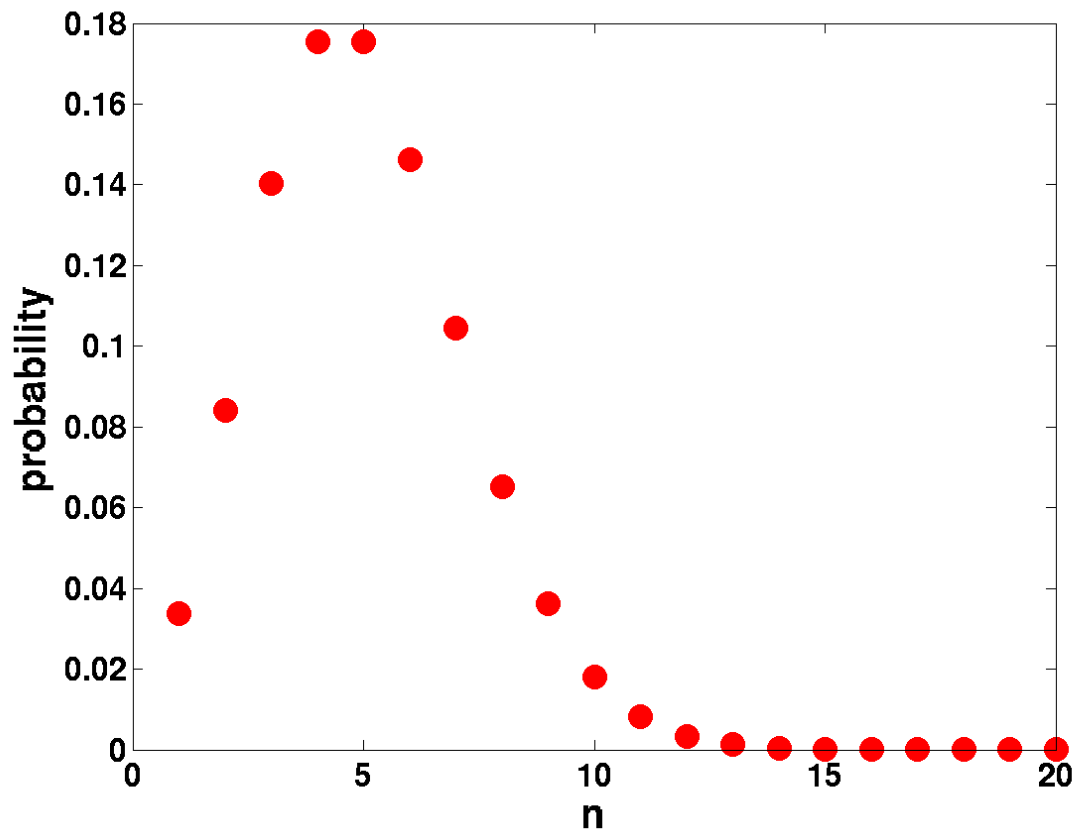
$$\text{Probability}(\text{inter-arrival time} \leq t) = 1 - \exp(-N p t)$$

- What this shows is the inter-arrival time distribution for independent arrival is exponentially distributed
- Define: $\lambda = Np$
 - λ is the mean arrival rate of customers

Poisson process (1)

- Definition: An arrival process is Poisson with parameter λ if the probability that n customer arrive in any time interval t is

$$\frac{(\lambda t)^n e^{-\lambda t}}{n!}$$



Example:

Example:

$\lambda = 5$ and $t = 1$

Note: Poisson is a discrete probability distribution.

Poisson process (2)

- Theorem: An exponential inter-arrival time distribution with parameter λ gives rise to a Poisson arrival process with parameter λ
- How can you prove this theorem?
 - A possible method is to divide an interval t into small time intervals of width δ . A finite δ will give a binomial distribution and with $\delta \rightarrow 0$, we get a Poisson distribution.

Customer arriving rate

- Given a Poisson process with parameter λ , we know that the probability of n customers arriving in a time interval of t is given by:

$$\frac{(\lambda t)^n e^{-\lambda t}}{n!}$$

- What is the mean number of customers arriving in a time interval of t ?

$$\sum_{n=0}^{\infty} n \frac{(\lambda t)^n e^{-\lambda t}}{n!} = \lambda t$$

- That's why λ is called the arrival rate.

Customer inter-arrival time

- You can also show that if the inter-arrival time distribution is exponential with parameter λ , then the mean inter-arrival time is $1/\lambda$
- Quite nicely, we have
Mean arrival rate = $1 / \text{mean inter-arrival time}$

Application of Poisson process

- Poisson process has been used to model the arrival of telephone calls to a telephone exchange successfully
- Queueing networks with Poisson arrival is tractable
 - We will see that in the next few weeks.
- Beware that not all arrival processes are Poisson! Many arrival processes we see in the Internet today are not Poisson. We will see that later.

References

- Operational analysis
 - Lazowska et al, Quantitative System Performance, Prentice Hall, 1984. (Classic text on performance analysis. Now out of print but can be download from <http://www.cs.washington.edu/homes/lazowska/qsp/>
 - Chapters 3 and 5 (For Chapter 5, up to Section 5.3 only)
 - Alternative 1: You can read Menasce et al, “Performance by design”, Chapter 3. Note that Menasce doesn’t cover certain aspects of performance bounds. So, you will also need to read Sections 5.1-5.3 of Lazowska.
 - Alternative 2: You can read Harcol-Balter, Chapters 6 and 7. The treatment is more rigorous. You can gross over the discussion mentioning ergodicity.
- Little’s Law (Optional)
 - I presented an intuitive “proof”. A more formal proof of this well known Law is in Bertsekas and Gallager, “Data Networks”, Section 3.2
- Tutorial exercises based on this week’s lecture are available from course web site
 - We will discuss the questions in next week’s tutorial time